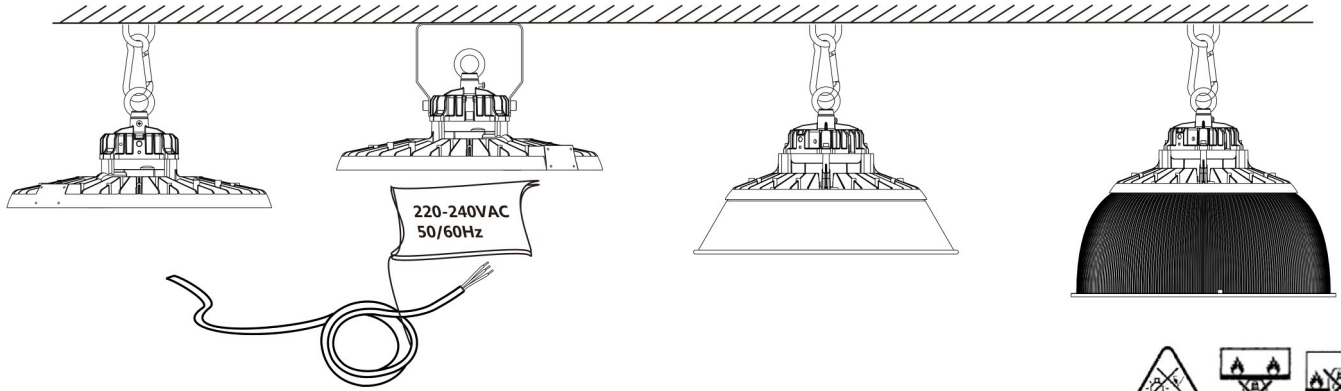
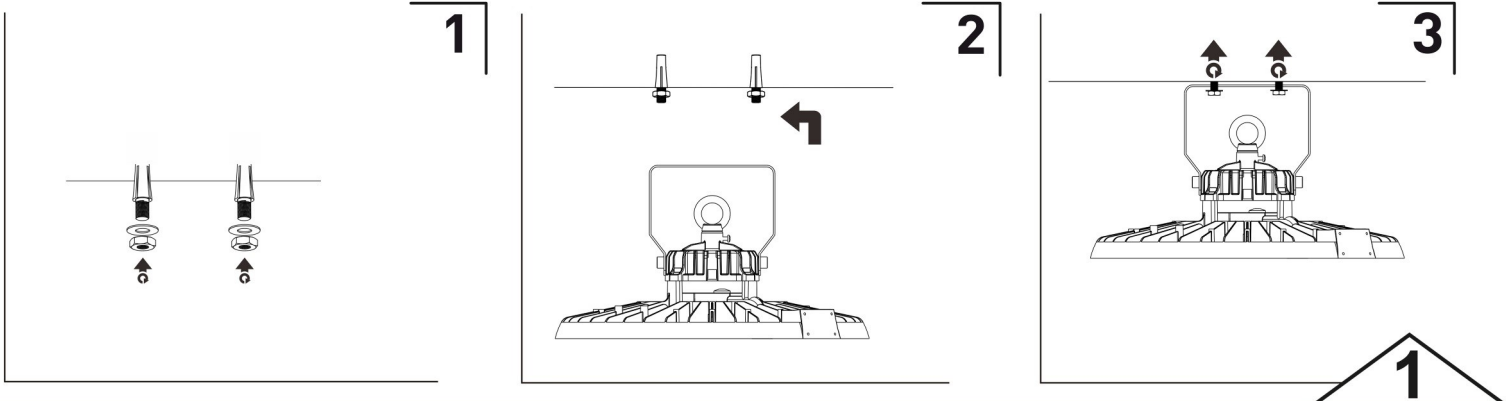
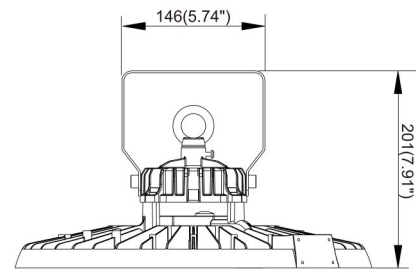
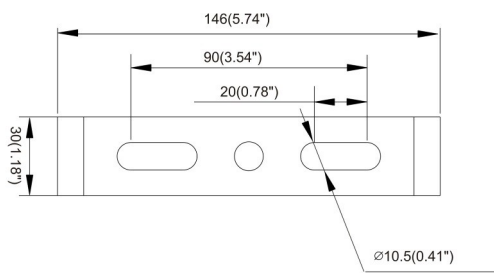


Installation Instructions

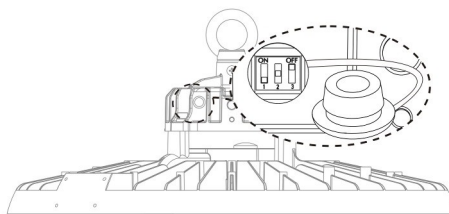


Physical Dimensions (Unit: mm/inch)



Adjustable power

Caution:
 Pls power off the luminaire before adjusting the DIP switch.
 Pls do not use metal tool to adjust the DIP switch.
 Pls adjust the switch gently.



1	2	3	
●	○	○	150W
○	●	○	120W
○	○	●	100W
○	○	○	80W

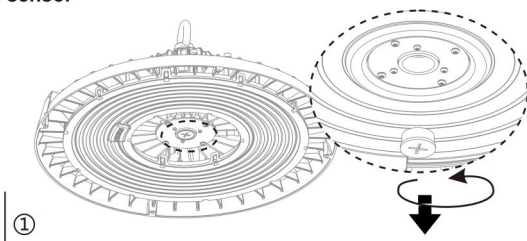
Max.150W



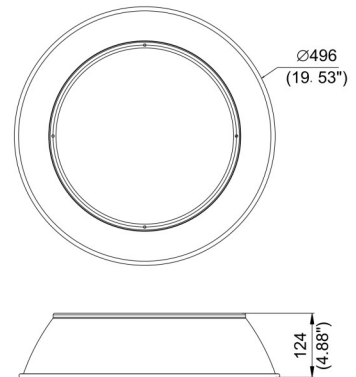
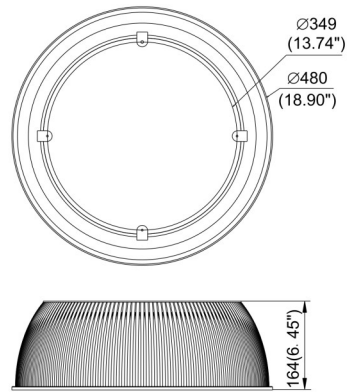
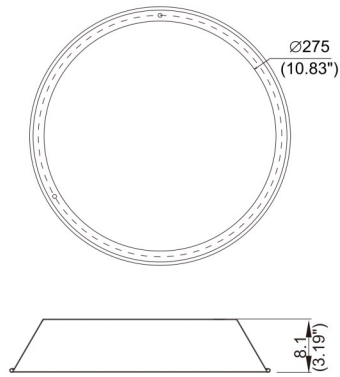
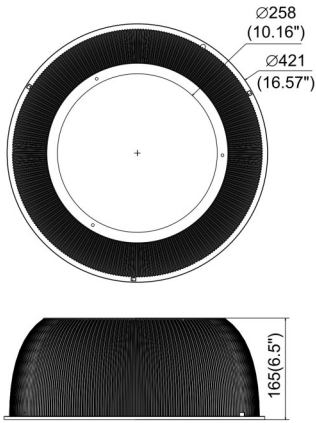
1	2	3	
●	○	○	200W
○	●	○	150W
○	○	●	120W
○	○	○	100W

Max.200W

Motion sensor

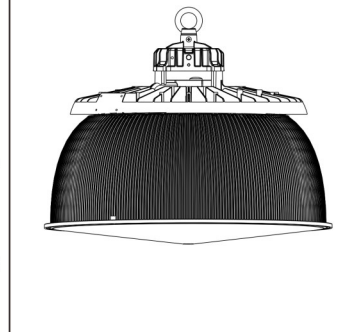
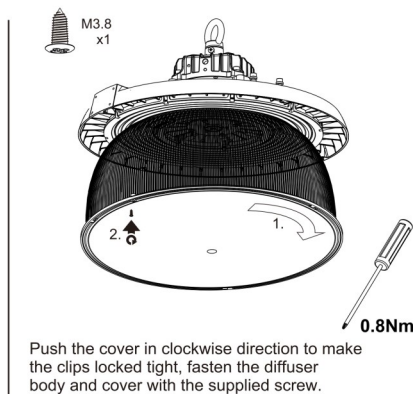
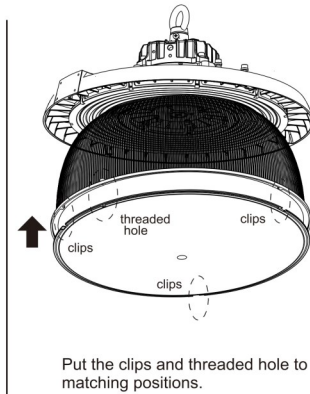
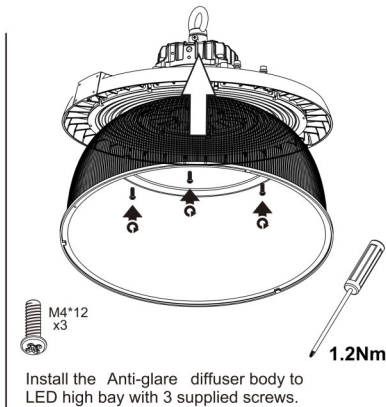
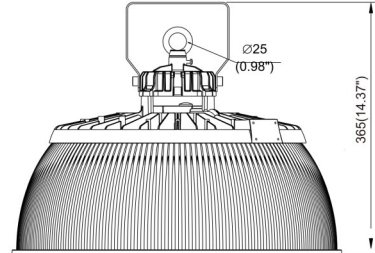
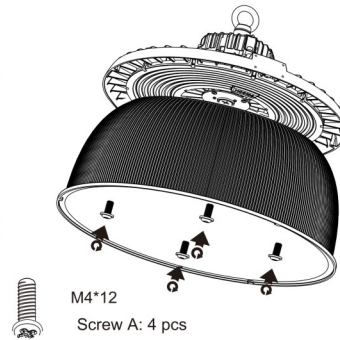
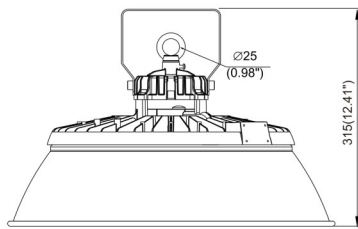
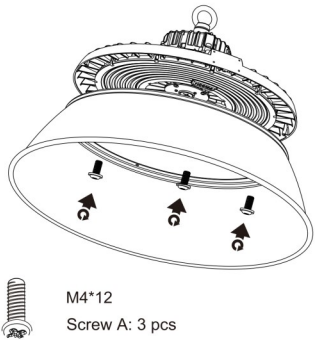


Installation Instructions



Normal: 100W/120W/150W
High Efficacy: 80W/120W

Normal: 200W
High Efficacy: 150W/200W



3

L	brown	black
N	blue	white
⊕ GND	yellow/green	green

Dimmable

DIM+ / DA1	blue	brown	purple	white
DIM- / DA2	white	blue	gray	black

• if the external flexible cable or cord of this luminaire is damaged, it shall be exclusively replaced by the manufacturer or his service agent or a similar qualified person in order to avoid a hazard.

4