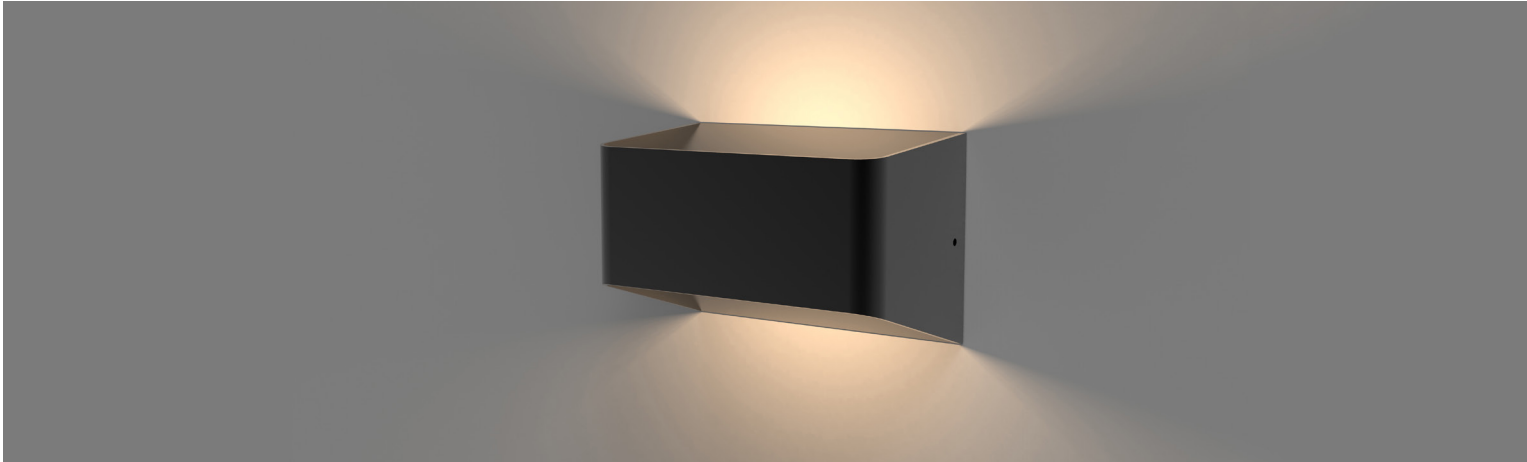


FDV



BA- Lighting AS
BA468

Introduction



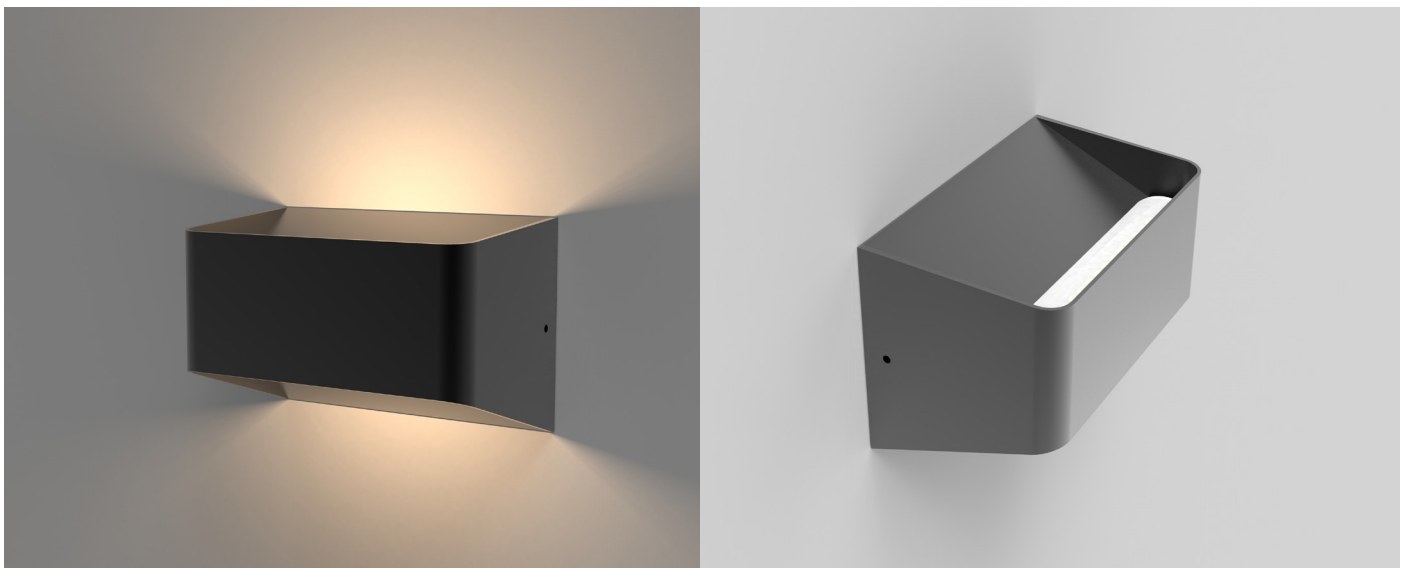
◀ IP54 WL16 LED wall lamp adopts traditional classical design to meet the public aesthetic view, the up and down structure distributes perfect lighting effects; ADC12 housing material provides excellent thermal management and 94-V0 fire rated PC make sure softly lighting to creating comfortable atmosphere.

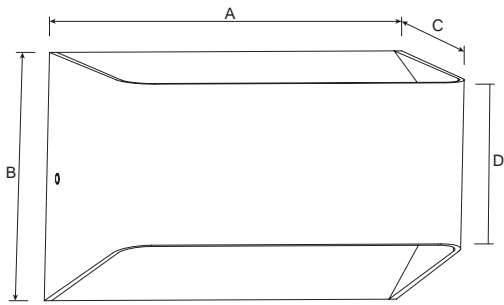
Features

1. Up to 70% energy saving compared to halogen lamp.
2. Long lifetime of 50,000 hours.
3. CCT: 3000K 4000K 5000K 5700K.
4. No UV/IR light.
5. Environment friendly, without Mercury or any other hazardous substances.

Application Areas

It is designed for indoor and outdoor lighting applications hotel, park, and corridors etc.





Measurement

Model	Dimension(mm)				Size(mm)	Product Weight (Kg)		Package weight (Kg)		Carton Size(cm)	Qty/CTN	20GP (pcs)	40HQ (pcs)
	A	B	C	D		N.W/PC	G.W/PC	N.W/CTN	G.W/CTN				
WL16-1510-10W	150	100	92	65	150*100*92	0.54	0.63	13	16.5	52*37.5*39.5	24	9504	19008
WL16-3010-18W		100	92	65	300*100*92	1.05	1.15	12.6	15	52*34.5*39.5	12	4752	9504

Technical Data Sheet

Model No.	WL16-1510-10W		WL16-3010-18W	
Watt(W)	10W		18W	
Dimension(mm)	150*100*92		300*100*92	
Rated Input Voltage(V)	AC230V			
Input Voltage(V)	AC200-240V			
LED	SMD			
SDCM	<6			
CCT(K)	1-CCT: 3000K / 4000K / 5000K / 5700K			
"Luminous Flux (lm) ±5%	Non-DIM	400-500		720-900
	DIM	-		-
CRI	≥80			
Beam Angle (°)	100°			
LED Driver	Built-in			
DIM	No			
Protection Class	Class I			
IP Rating	IP54			
IK Rating	IK08			
Finishing color	Black RAL 9005			
Material	Aluminium			
Lifetime (hr)	50,000h @ 25°C			
Glow wire test (°C)	750°C			
Operating Temp.(°C)	-20°C ~45°C			
Storage Temp.(°C)	-20°C ~65°C			
Installation	Surface mount			
Brand Driver option	-			

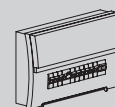
Built-in Driver Datasheet (Non-dimmable)

Power	10W	18W
Rated Input Voltage(V)	AC230V	
Frequency	50/60Hz	
Input Voltage	AC200-240V	
Power Factor	0.9	
Efficiency	≥90%	≥90%
Total load wattage	10W±1W	18W±1W
Rated Input Current	≤ 0.06A	≤ 0.10A
Full load output voltage	DC60-80V	DC60-80V
Rated output current	120mA	230mA
Output current range	120mA±5%	230mA±5%
Power tolerance	±5%	
Current output tolerance	±5%	
Short circuit protection	PASS	
Over voltage protection	PASS	
Over temperature protection	PASS	
THD	-	
Surge	L-N 0.5KV L / N-PE 1KV	
Withstand voltage	-	

Installation Procedure

WARNING

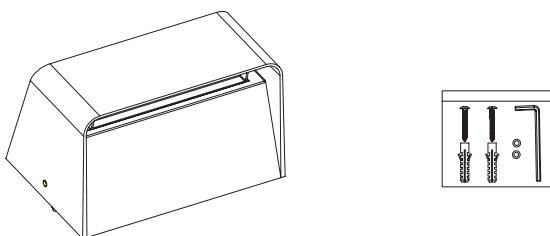
1. Switch off before installation.
2. Switch on only after complete installation and examination of the circuit.
3. Professional electrician for installation and maintenance only.



Turn Off power supply before starting any installation. Read instructions & check you have all the tools & accessories to complete the installation correctly.

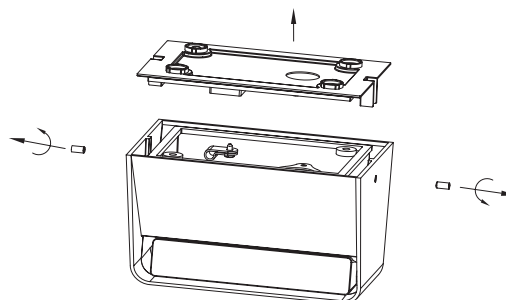
Installation

Step 1



Take out the lamp and accessories.

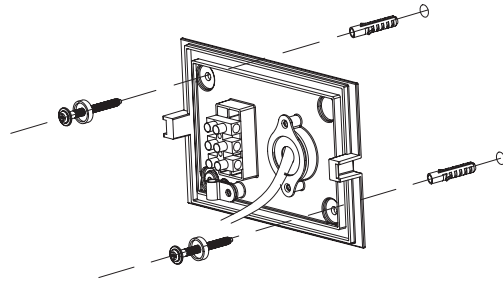
Step 2



Take out the base from the lamp body.

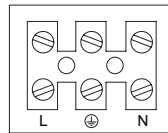
Step 3




Fix the base on the wall and make the wires through the hole of the base.

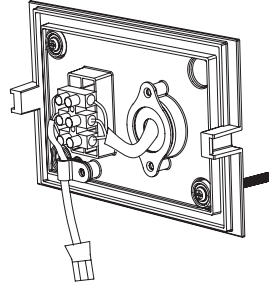


Step 4

Set the wires respectively.

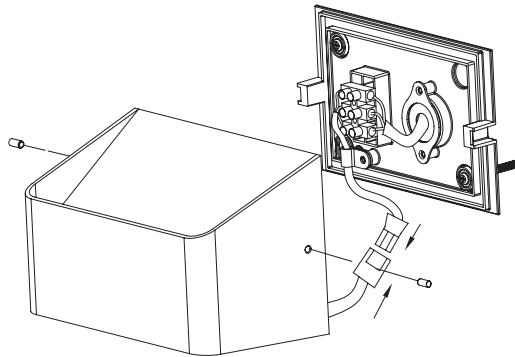


-  L = BROWN
-  N = BLUE
-  ⊕ = YELLOW-GREEN



Step 5

Get the lamp fixture back to the base and fix it well.



Step 6

