

**Read these instructions before installation and retain for future reference** ▲

**This equipment should be installed by a competent electrician**

### Important Information

**We recommend that luminaires are installed by a qualified electrician ensuring the installation complies with current IEE wiring regulations BS7671:2018 & local building control.**

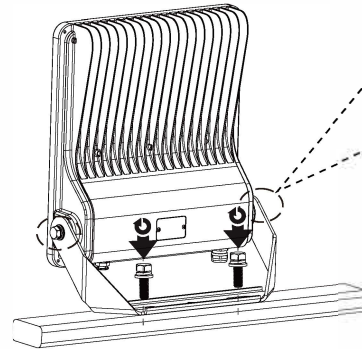
- BELL will not accept responsibility for any claims arising from a poor installation.
- Do not cover with any insulation.
- Internal use only.

This product may contain substances that can be hazardous to the environment if not disposed of properly. Electrical and electronic equipment should never be disposed of with general household waste but must be separated for its correct treatment and recovery.

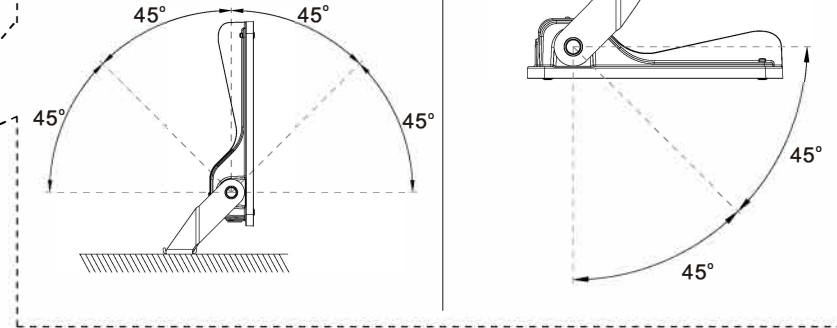
Where possible recycle your packaging.



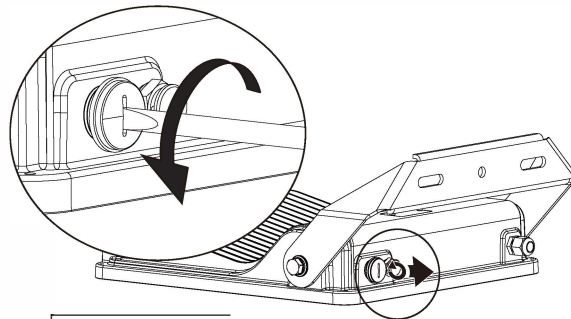
**Recommended screw size: M10**



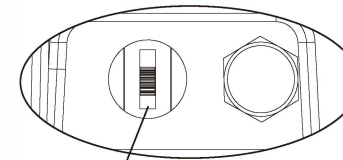
**Rotatable angle**



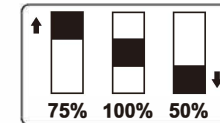
### Wattage Switchable



- |       |                |         |
|-------|----------------|---------|
| L     | ■ brown        | ■ black |
| N     | ■ blue         | ■ white |
| ⊕ GND | ■ yellow/green | ■ green |



**Wattage Switchable**



- The light source contained in this luminaire shall only be replaced by the manufacturer or his service agent or a similar qualified person.
- For type Y attachments:  
if the external flexible cable or cord of this luminaire is damaged, it shall be exclusively replaced by the manufacturer or his service agent or a similar qualified person in order to avoid a hazard.

### Important Information

**We recommend that luminaires are installed by a qualified electrician ensuring the installation complies with current IEE wiring regulations BS7671:2018 & local building control.**

- BELL will not accept responsibility for any claims arising from a poor installation.
- Do not cover with any insulation.
- Internal use only.

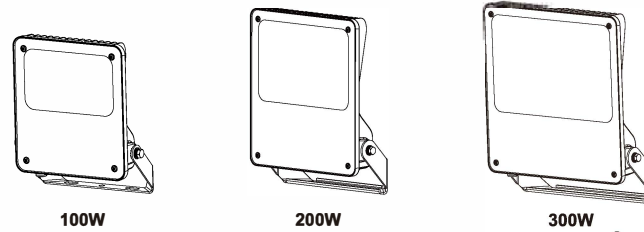
This product may contain substances that can be hazardous to the environment if not disposed of properly. Electrical and electronic equipment should never be disposed of with general household waste but must be separated for its correct treatment and recovery.

Where possible recycle your packaging.

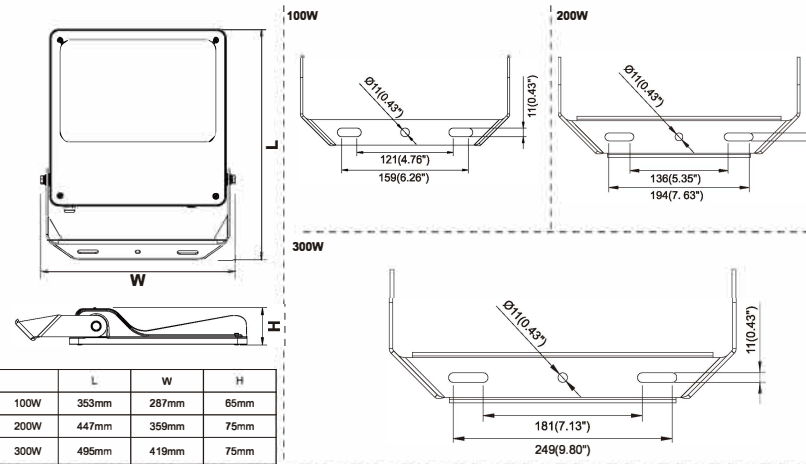


**Read these instructions before installation and retain for future reference**

**This equipment should be installed by a competent electrician**



### Physical Dimensions (Unit: mm/inch)



Product Specifications	100W	200W	300W
Input Voltage	220-240VAC		
Power Frequency	50/60 Hz		
Outlook Dimensions	353x287x65mm(13.90"x11.30"x2.56")	447x359x75mm(17.60"x14.13"x2.95")	495x419x75mm(19.49"x16.49"x2.95")
Luminaire Net Weight	2.8±0.3kg(6.17±0.66Lbs)	5.2±0.3kg(11.46±0.66Lbs)	6.4±0.3kg(14.11±0.66Lbs)
Projected Area	0.067m²(0.726ft²)	0.112m²(1.205ft²)	0.144m²(1.554ft²)
Working Temperature	-30°C to +45°C(-22°F to +113°F)		
Storing Temperature	-40°C to +70°C(-40°F to +158°F)		