

Entry /ECO

Standard /STD

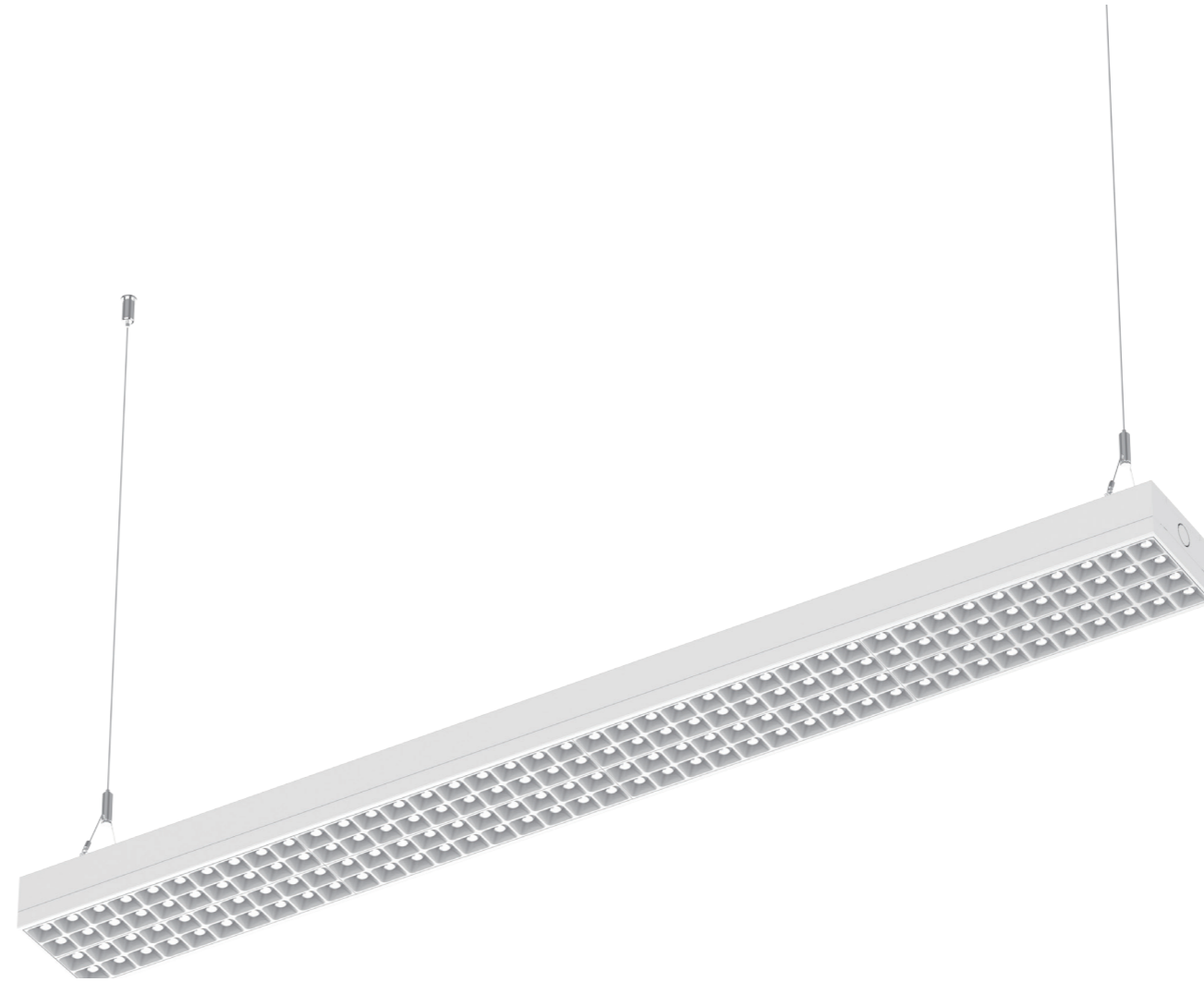
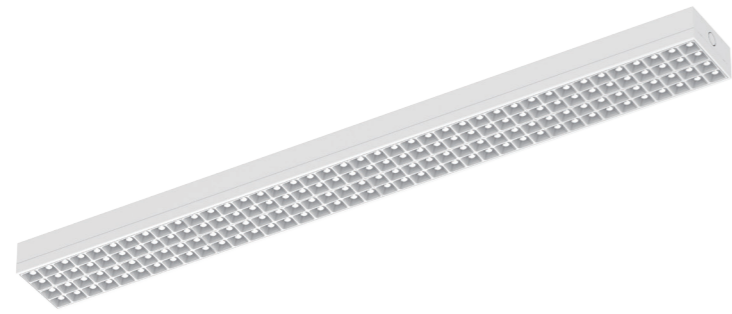
Professional/PRO

ODM & OEM

Intelligent/INT



STD
Specifications



LED Batten
DB157 Series

BA
LIGHTING



Introduction

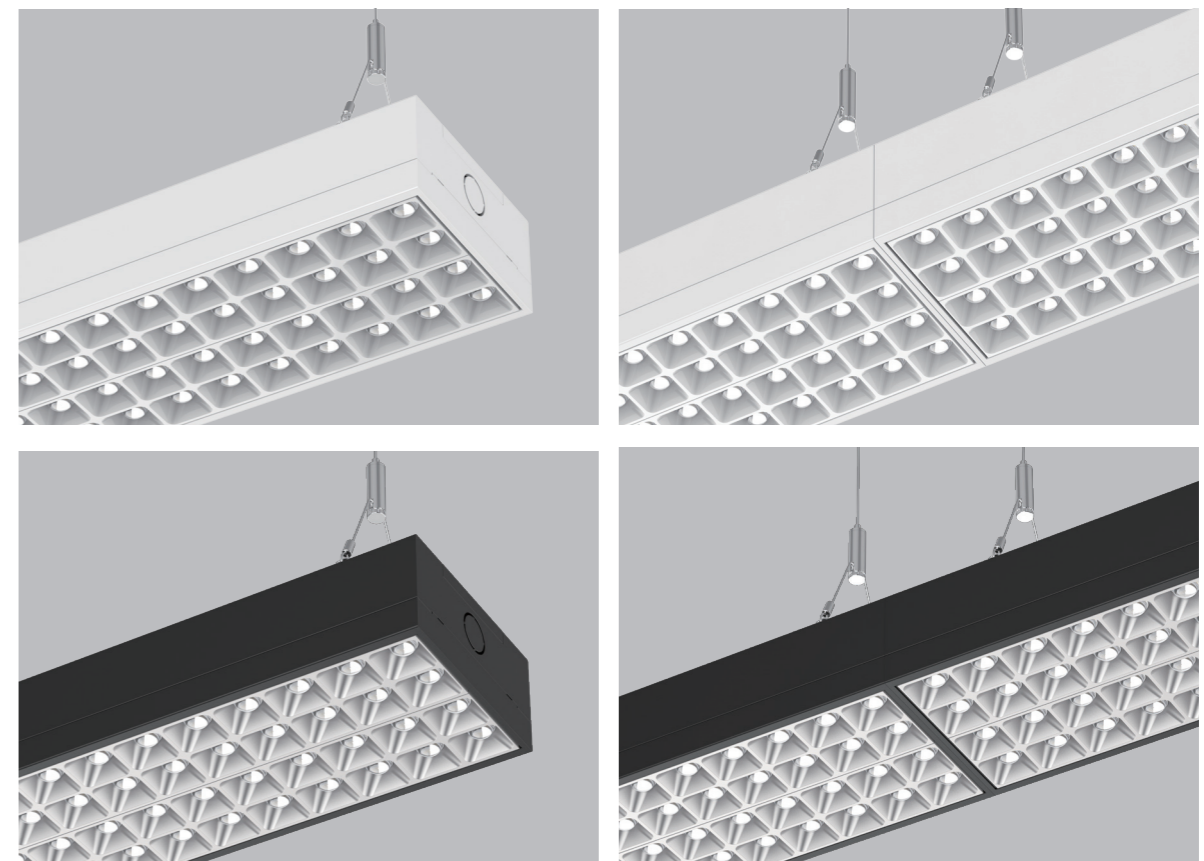
This batten light is a newly seamless splicing design. It adopts high lumen SMD LED chip and grill optic module which make it low glare and offer a comfortable visual experience. Aluminium housing ensures a strong structure and provides a great thermal management. It is screwless design and quick buckle assembly so that it can have an easy and convenient installation way. Functions: CCT adjustable, power adjustable, splicing for both surface mounted and pendant installations.

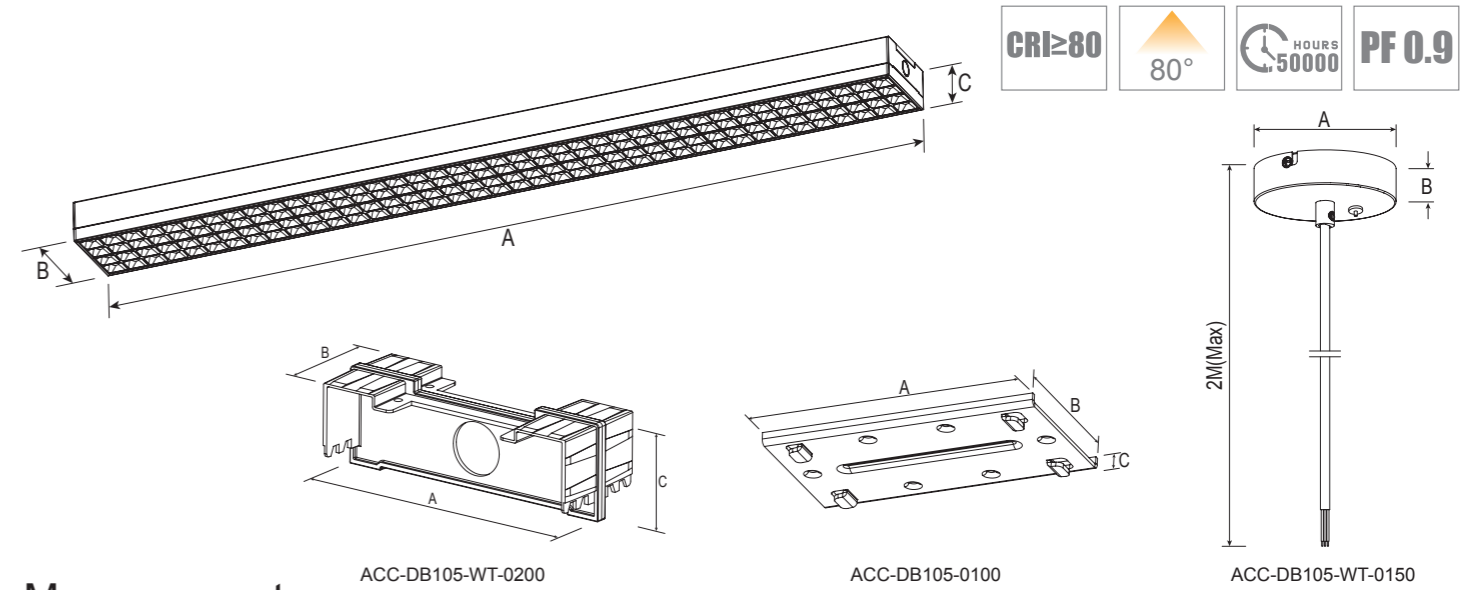
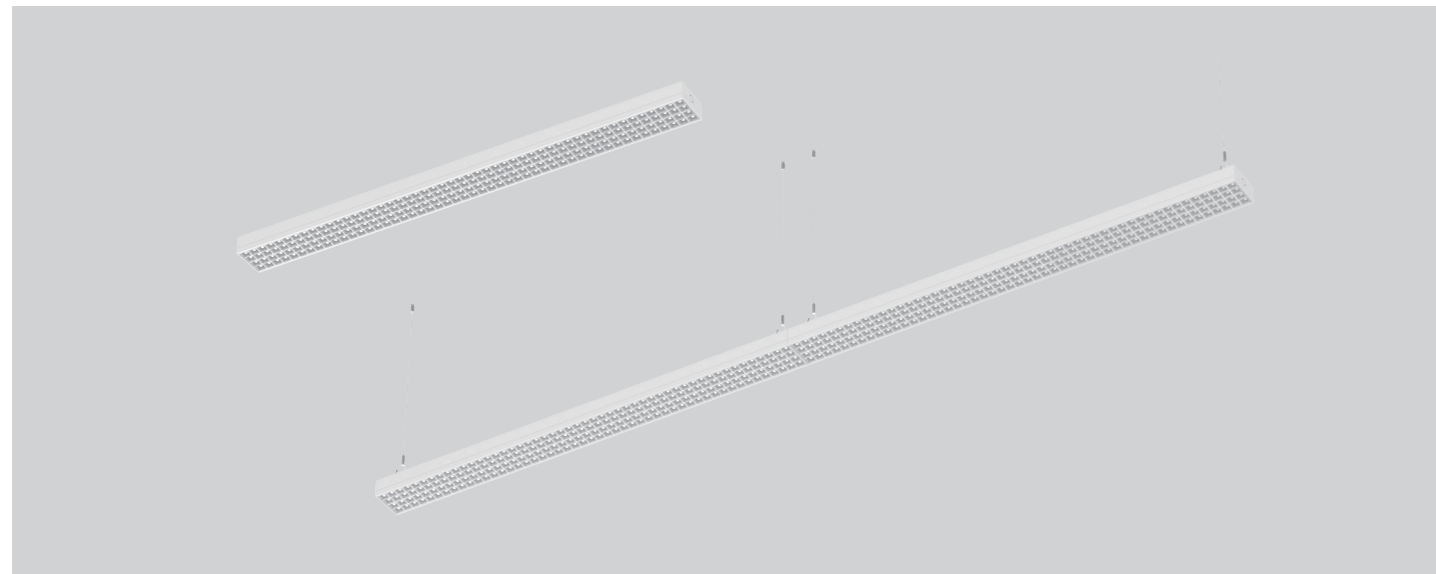
Features

- Seamless splicing design.
- High lumen efficiency, 125lm/W.
- Grill optic module with UGR<19, RA>80, SDCM<6.
- Interchangeable CCT(3000+4000K)with slide switch.
- Interchangeable power 40W/35W/30W/25W for 1200mm, 50W/45W/40W/35W for 1500mm.
- Surface mounted/pendant/splicing installation.
- Internal flicker free driver.

Application Areas

Application areas: It is widely used in office, meeting room, school, shopping mall etc.





Technical Data Sheet

Code No.	DB157-1200-40W-A4C2	DB157-1500-50W-A4C2	
Dimension(mm)	1200*120*59	1500*120*59	
Cutout (mm)	-		
Watt(W)	40W/35W/30W/25W	50W/45W/40W/35W	
Rated Input Voltage(V)	AC220-240V		
Input Voltage(V)	AC230V		
LED Module Input	DC30V 1250mA	DC30V 1580mA	
Light Source	SMD		
SDCM	<6 (for whole lamp)		
CCT(K)	2-CCT: 3000K+ 4000K		
CCT Selection DIP Switch	YES		
Luminous Flux (lm) ±5%	Non-DIM	1-CCT	-
	DIM		-
	Non-DIM	2-CCT	40W: 5000-5400 / 35W: 4600-4900 30W: 3800-4100 / 25W: 3200-3500
	DIM		50W: 6200-6600 / 45W: 5700-6100 40W: 5000-5400 / 35W: 4600-4900
CRI	Ra>80		
Beam Angle (°)	80°		
UGR	<19		
LED Driver	Built-in		
Dimming Option	-		
Sensor	-		
Emergency Kits	-		
Electrical Class	Class I		
Ingress Protection (IP Rating)	IP20		
Impact Resistance (IK Rating)	IK08		
Product Finishing(Base)	White RAL9016 / Black RAL9005		
Materials of Optics	PC		
Materials of Housing	Aluminium		
Lifetime (hr)	50000		
Glow wire test (°C)	750°C		
Operating Temp. (°C)	-20°C ~ 45°C		
Storage Temp. (°C)	-20°C ~ 65°C		
Installation	Surface mount / Pendant		

Measurement

Code	Dimension(mm)			Size(mm)	Product Weight (Kg)		Package weight (Kg)		Carton Size(cm)	Qty/CTN	20GP (pcs)	40HQ (pcs)
	A	B	C		N.W/PC	G.W/PC	N.W/CTN	G.W/CTN				
DB157-1200-40W-A4C2 Surface mount	1200	120	59	1200*120*59	2.92	3.3	19.8	20.8	127.5*29.5*25.5	6	1500	3900
DB157-1200-40W-A4C2 Pendant	1200	120	59	1200*120*59	3.03	3.42	20.5	21.5	127.5*29.5*25.5	6	1500	3900
DB157-1500-50W-A4C2 Surface mount	1500	120	59	1500*120*59	3.52	4	16.0	17	157.5*29.5*17.5	4	1200	2912
DB157-1500-50W-A4C2 Pendant	1500	120	59	1500*120*59	3.62	4.13	16.5	17.5	157.5*29.5*17.5	4	1200	2912
ACC-DB105-WT-0200	120	45	41	120*45*41	70	0.084	4.0	4.3	39.5*22*21	48	72000	173376
ACC-DB105-0100	104	57	8	104*57*8	81	0.095	4.6	4.9	39.5*22*21	48	72000	173376
ACC-DB105-WT-0150	100	25	-	Ø100*25	0.26	0.29	1.2	1.4	26.5*13.5*14	4	23104	52344

Driver Datasheet(Non-dimmable)

Total load wattage		40W	50W
Output	Output Voltage range	23-33V	
	Rated output current	1250/1100/930/780mA	1580/1430/1250/1100mA
	Line Regulation	±5%	
	Setup, Rise Time	<0.5S @230V	
	Flickering Index	0.25% (NO RISK)	
Input	Input Voltage	AC200-240V	
	Rated Input Voltage(V)	AC230V	
	Frequency	50/60HZ	
	Input Current	≤0.25A	≤0.31A
	Rated Input Current	≤0.23A	≤0.28A
	Power Factor	0.9	
	THD	<20% @230V	
	Efficiency	≥86%	
Protection	No load wattage	<0.5W @230V	
	Short circuit protection	PASS	
	Over voltage protection	PASS	
Safety & EMC	Over temperature protection	PASS	
	Withstand voltage	I/P-FG:1.5KVac, <5mA 60S	
	Isolation Resistance	500VDC, ≥2M Ω	
	Surge	IEC/EN61000-4-5 (L-N:1KV, L/N-PE:2KV)	
	EMC Emission	EN55015, EN61000-3-2	
EMC Immunity	EN61000-4-2,3,4,5,6,8,11; EN61547		

Safety Instructions

To ensure correct function and safety, please read and follow all instructions carefully before using the product:

1. Turn off power before installation or before doing any maintenance work.
2. Do not install any luminaire near the heat source.
3. Do not exceed the nominal supply voltage or amperage ratings.
4. All wiring and installation of the light fitting must adhere to local and national wiring rules.
5. Take care not to pull any electrical wires during unpacking as this may damage the connection.
6. Lay out all the components on a smooth surface and make sure there are no components missing before assembling.
7. To avoid injury or damage to the fitting, please ensure that power leads and screws are secure before connecting the power.
8. Please keep instructions for future reference.
9. The light source contained in this luminaire shall only be replaced by the manufacturer or his service agent or a similar qualified person.

Installation Procedure

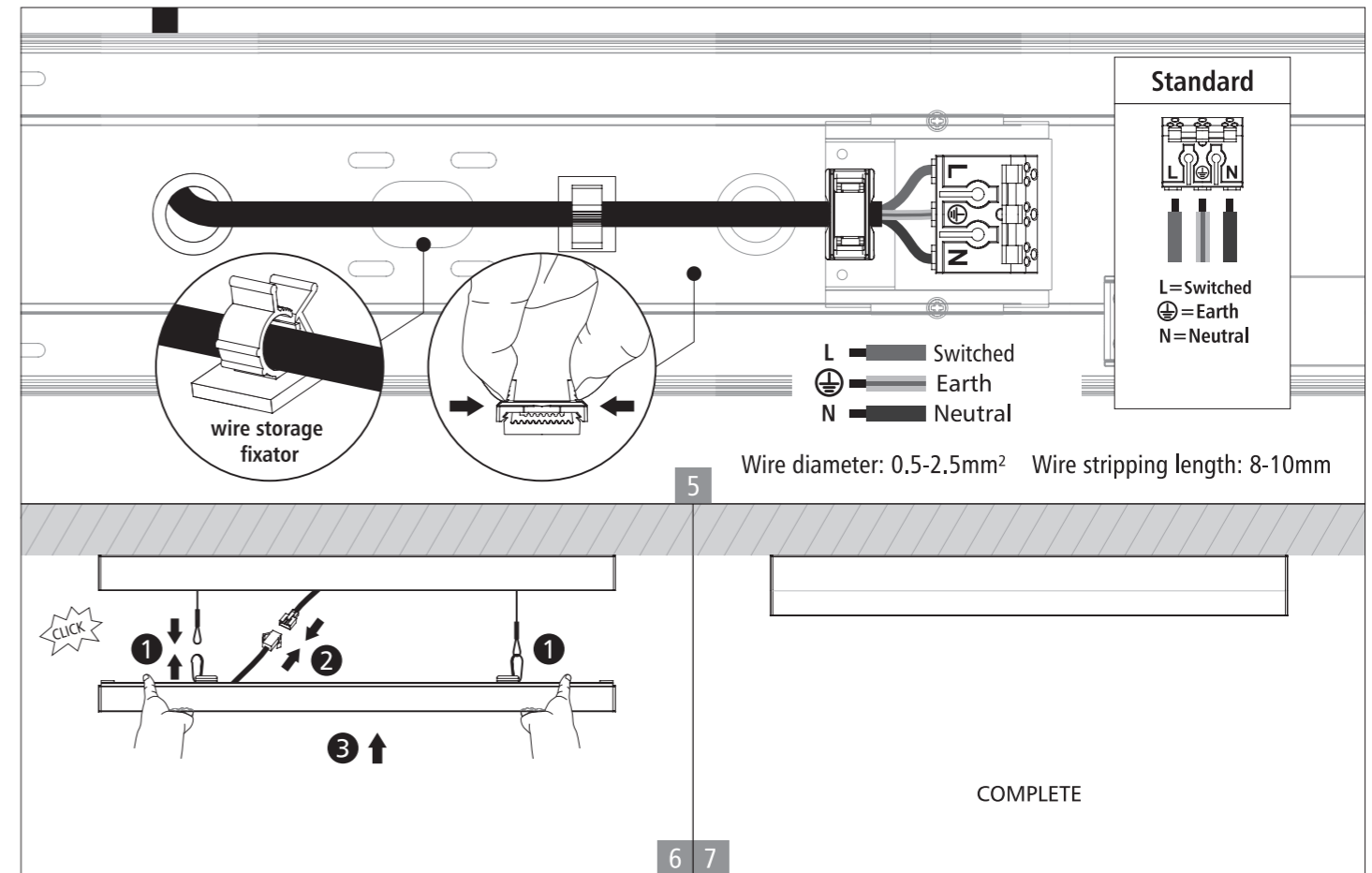
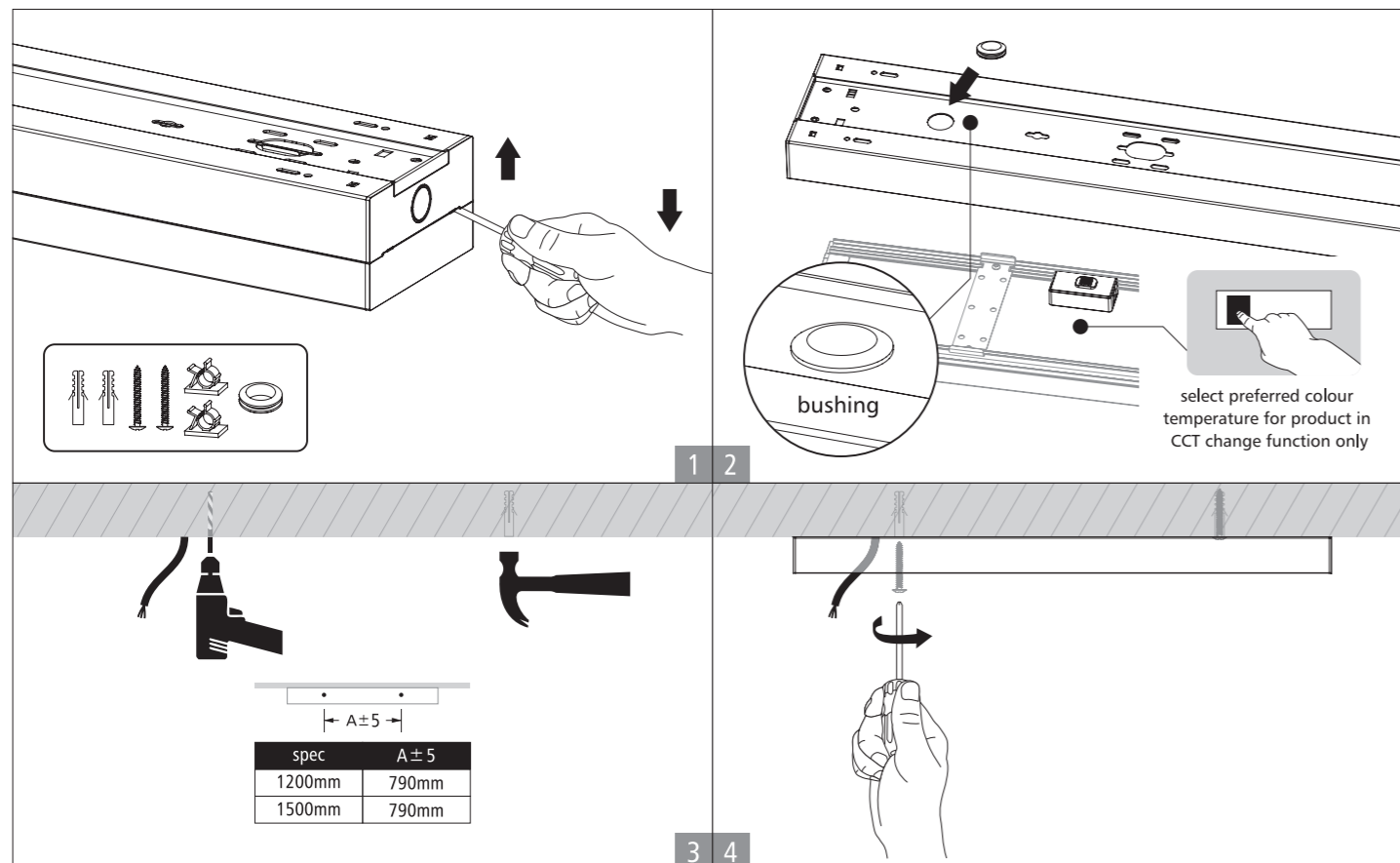
WARNING

1. Switch off before installation.
2. Switch on only after complete installation and examination of the circuit.
3. Professional electrician for installation and maintenance only.

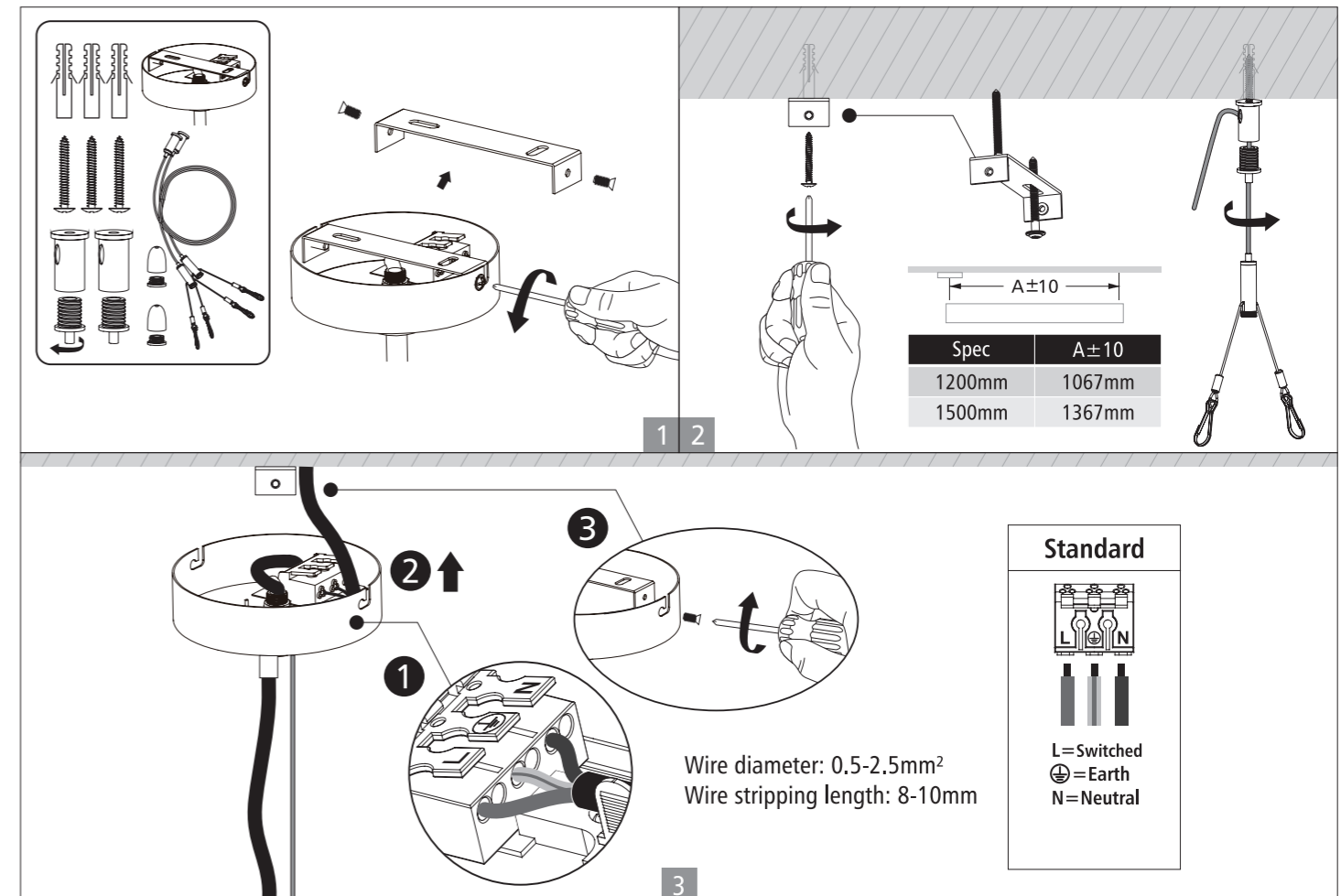


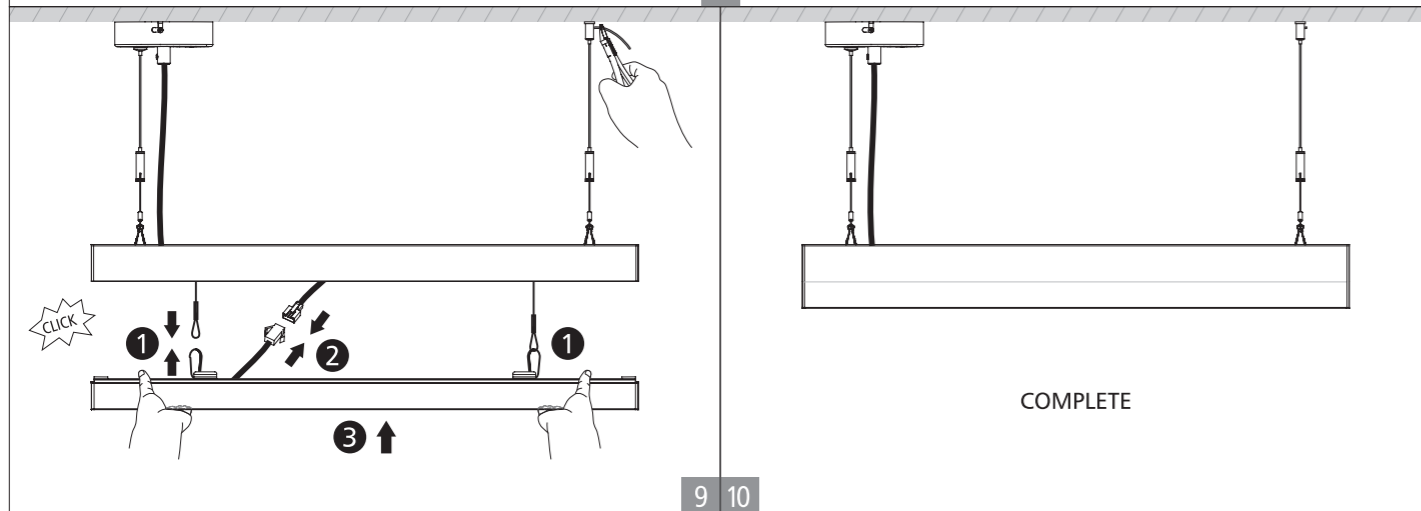
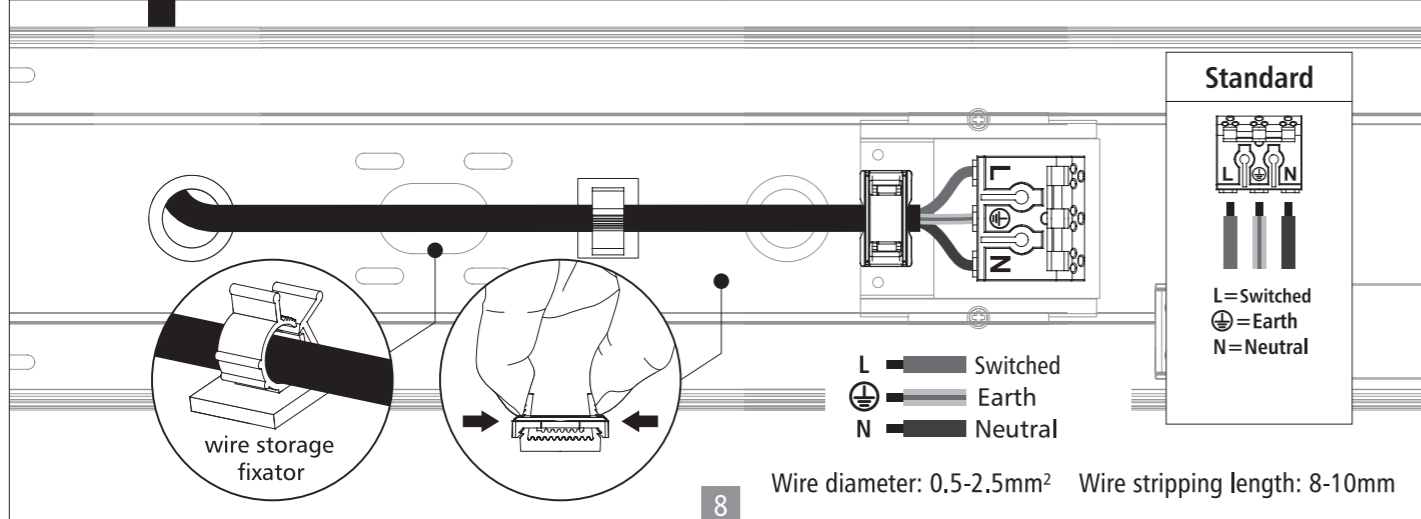
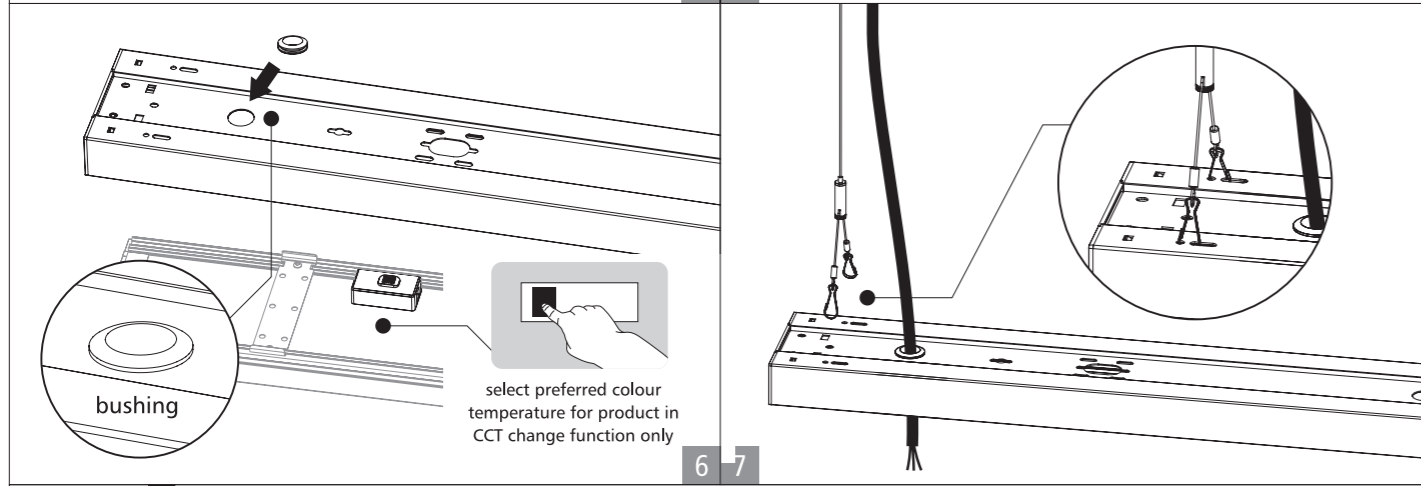
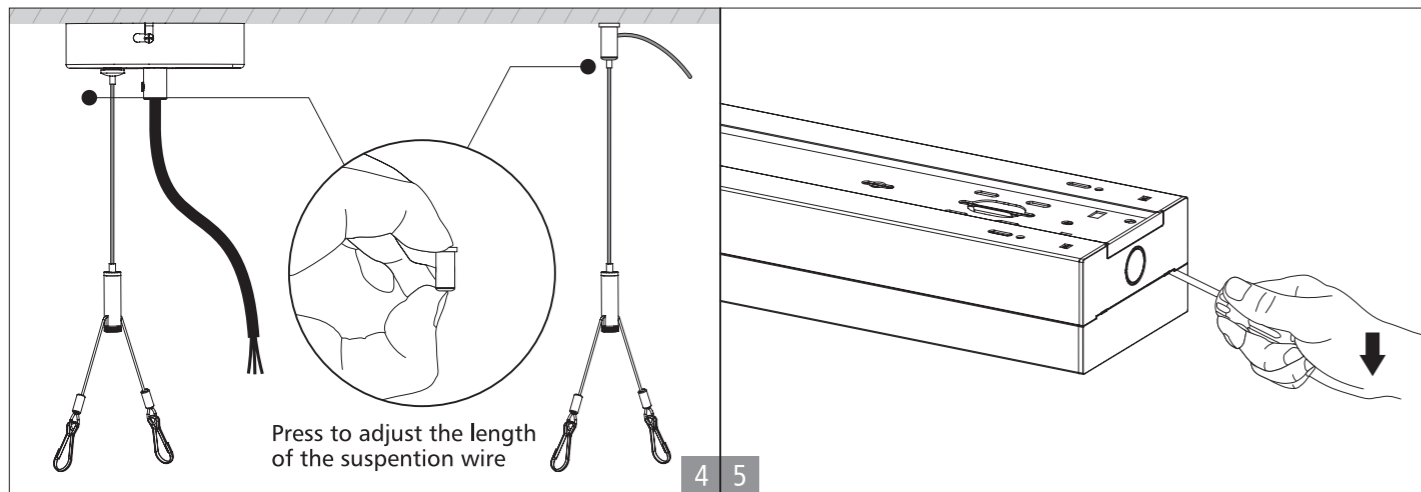
Turn Off power supply before starting any installation. Read instructions & check you have all the tools & accessories to complete the installation correctly.

Surface mount installation

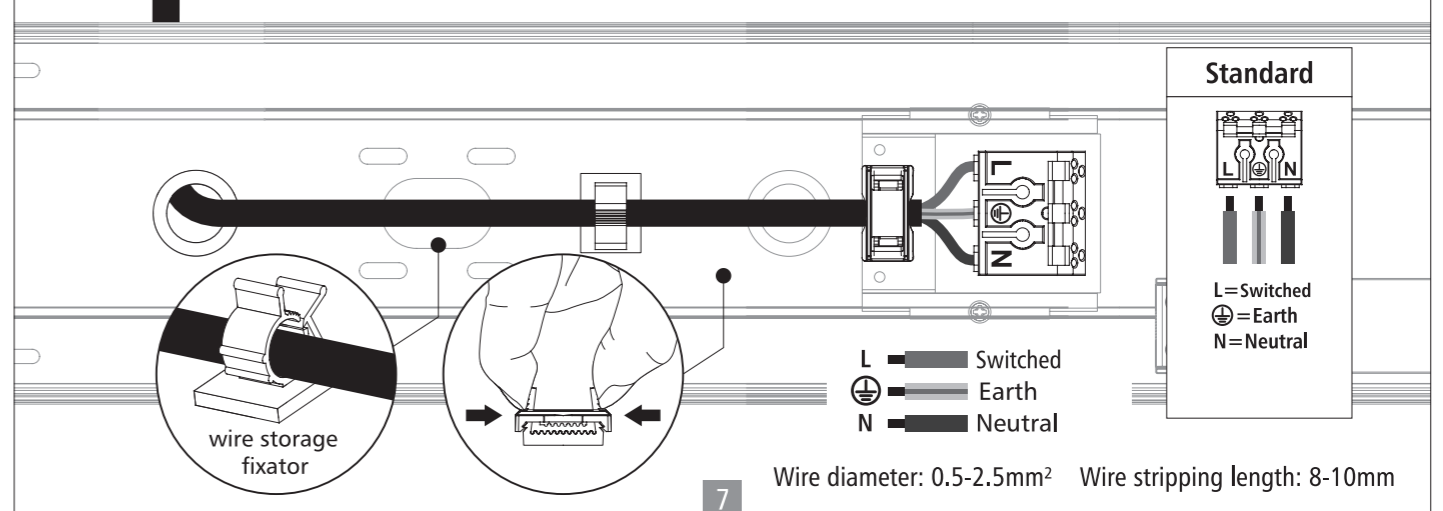
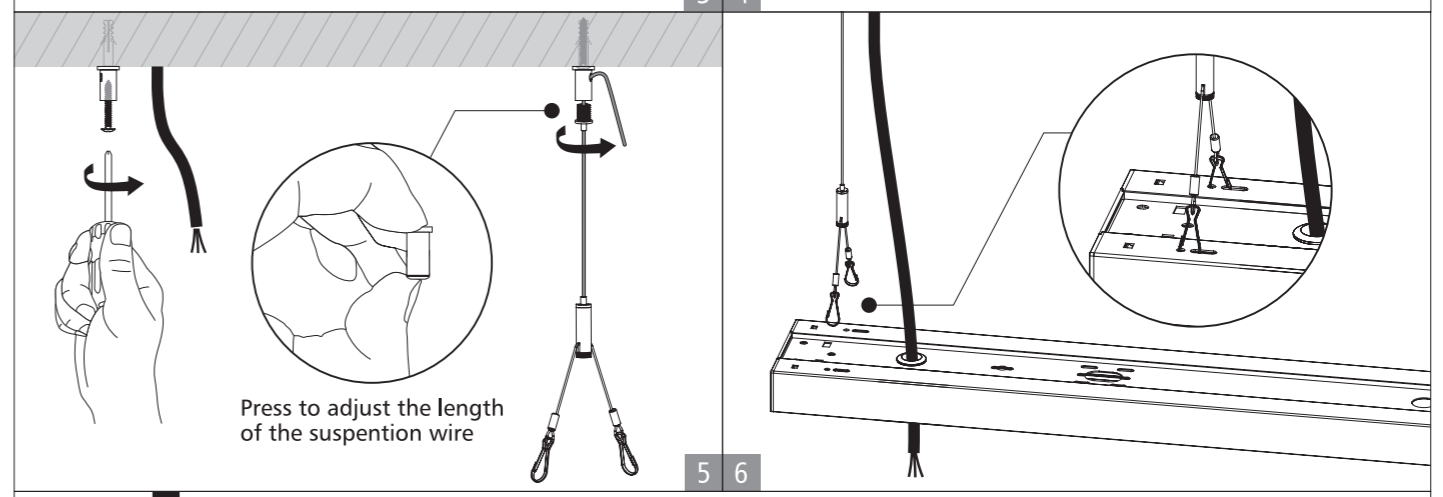
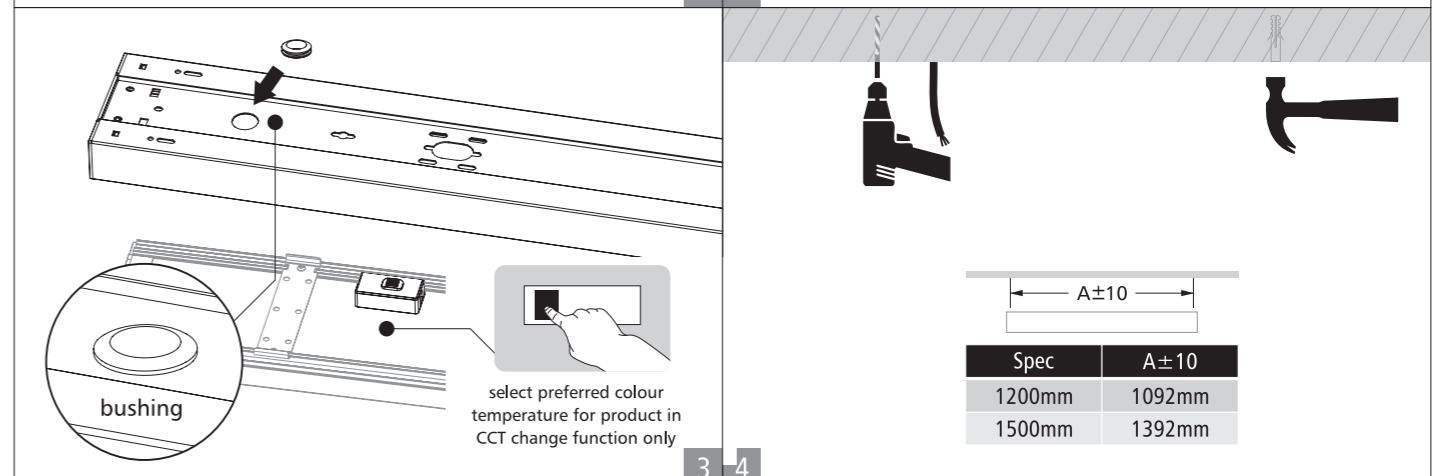
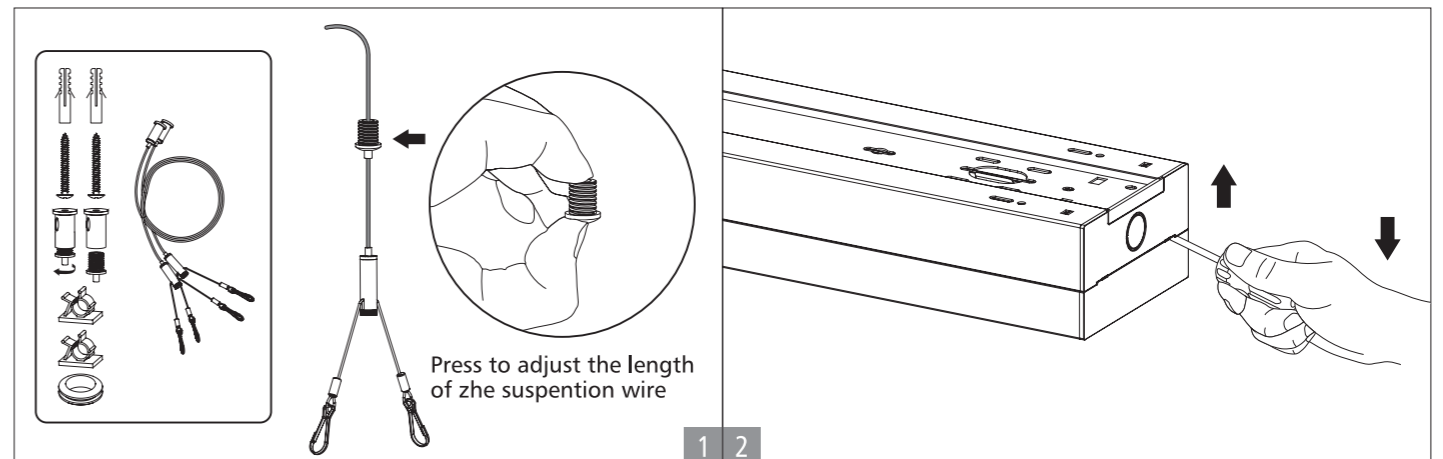


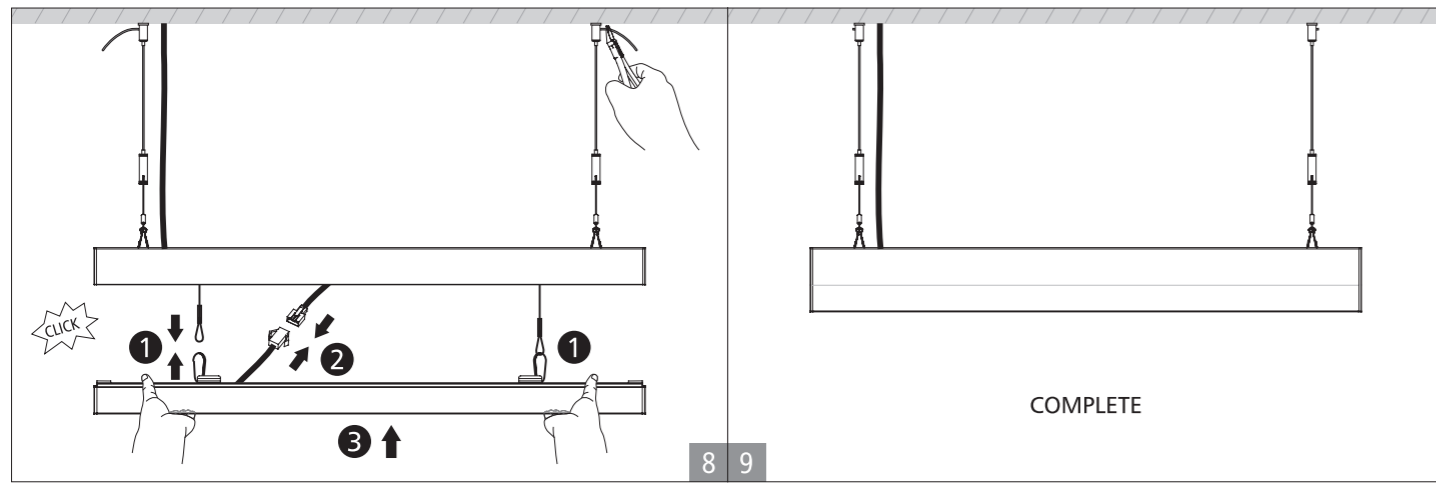
Suspended installation (With round ceiling plate)



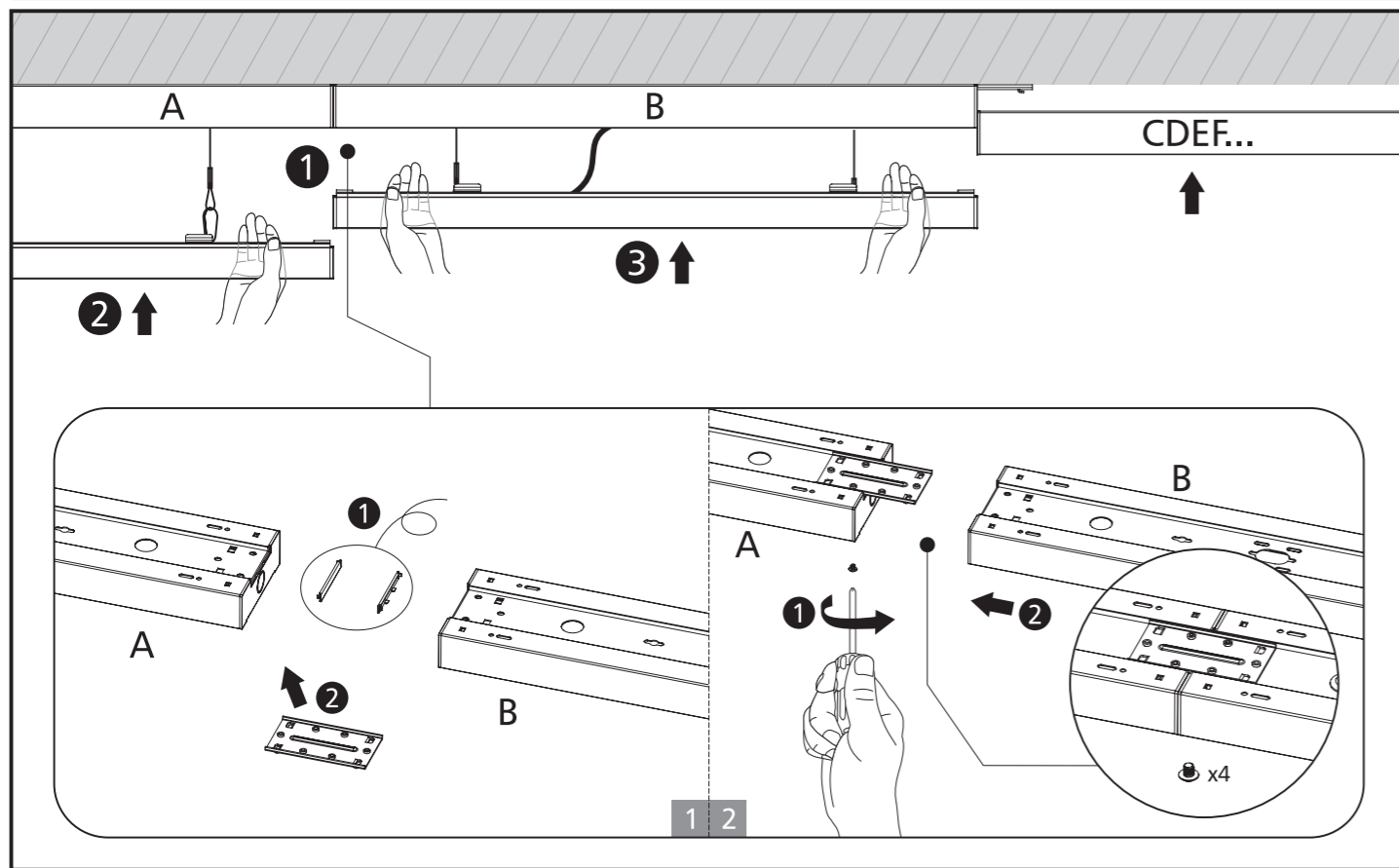


Suspended installation (Without round ceiling plate)

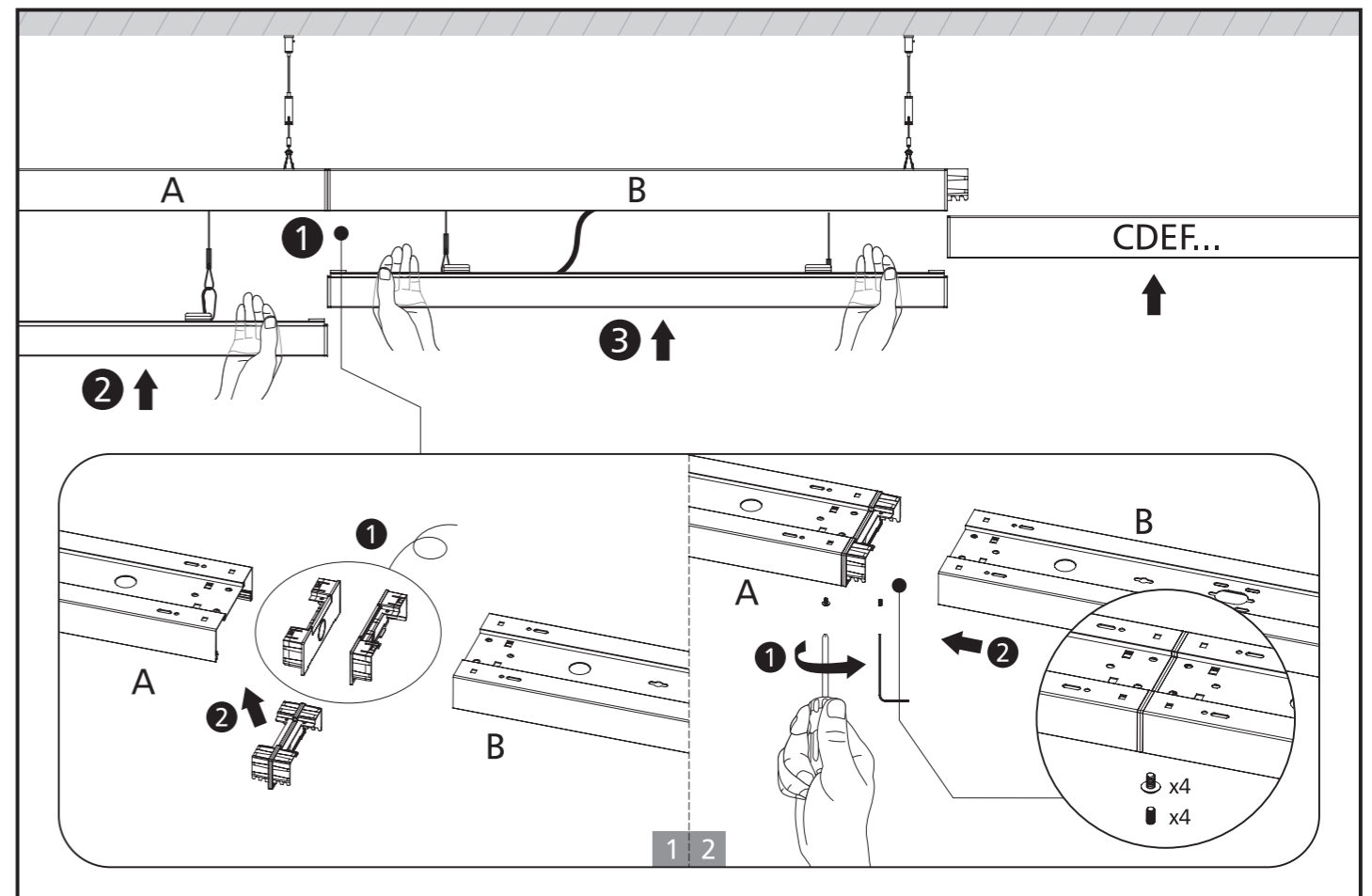




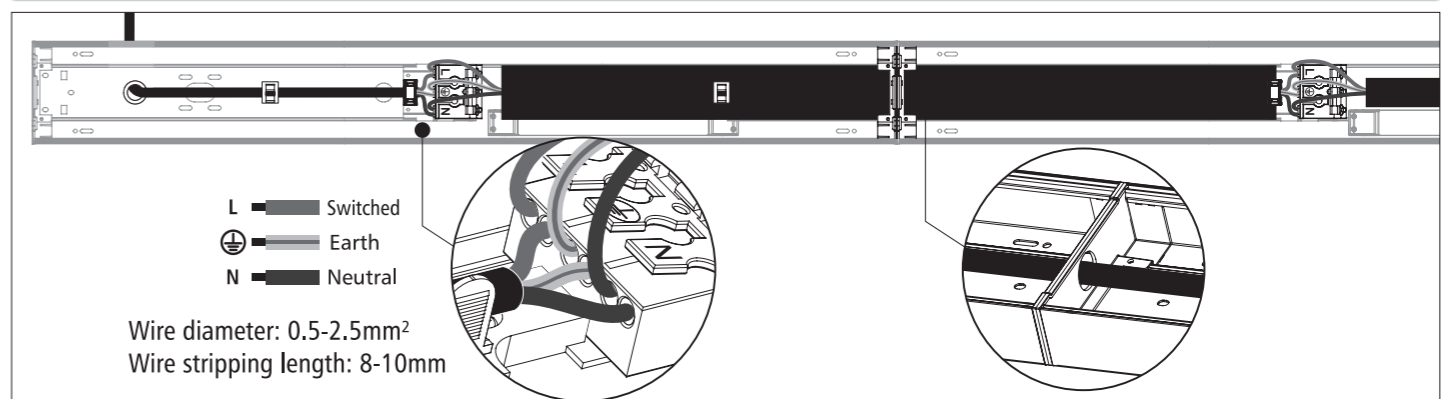
Splicing for surface mounted installation



Splicing for pendant installation



Splicing wire connection



Splicing installation: Splicing Qty(Max)

Product specification	Splicing Qty(Max)
DB157-1200	Max: 45 PCS
DB157-1500	Max: 35 PCS

ECO
Specifications

STD
Specifications

PRO
Specifications

ODM
Specifications


INT
Intelligent

BA
LIGHTING

▼ www.ba-lighting.no post@ba-lighting.no TEL: 37 16 04 00 ▼

Adr.: Holthesvei 2, 4848 ARENDAL